

LED CIRCULAR PANELS



PRODUCT DESCRIPTION

Circular LED shallow depth fixed downlights with opal PC diffuser. Suitable for corridors, offices, toilets and general circulation areas.

KEY FEATURES

- For recessed installation
- 4 sizes / wattages
- Back-lit design with LEDs mounted in a die-cast aluminium heat sink & body
- Remote mounted driver
- Plug-in connector for emergency conversion pack, so any fitting can be converted to emergency later if required. Emergency conversion packs to be ordered separately, as listed below.
- Opal PC TP(a) rated diffuser in a die-cast aluminium bezel
- IP44 to front

TECHNICAL DETAILS

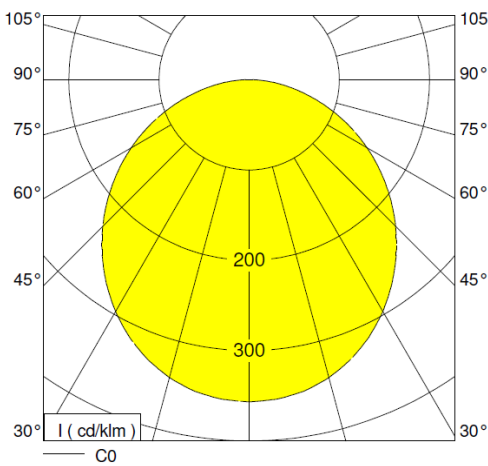
- Available in 4 wattages, as listed:
 - 6W (nom), 6.5W (act), 530 lumens, 82 l.lm/c.W
 - 8W (nom), 8.9W (act), 770 lumens, 87 l.lm/c.W
 - 11W (nom), 11.6W (act), 1050 lumens, 91 l.lm/c.W
 - 14W (nom), 13.8W (act), 1320 lumens, 96 l.lm/c.W
 - CRI >80
 - CCT 4000K
 - Non-dimmable
-

- Class II
- 5 year warranty

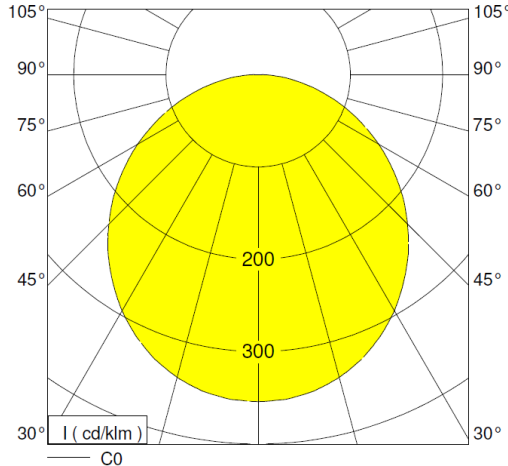
Part number	Description
LCPAN53840	100MM 530LM 6W IP44 TPA CIRCULAR PANEL 840
LCPAN77840	140MM 770LM 8W IP44 TPA CIRCULAR PANEL 840
LCPAN107840	170MM 1070LM 11W IP44 TPA CIRCULAR PANEL 840
LCPAN132840	210MM 1320LM 14W IP44 TPA CIRCULAR PANEL 840
LCPANE3KIT	CIRCULAR PANEL EMERGENCY KIT 3HR

PHOTOMETRIC DATA

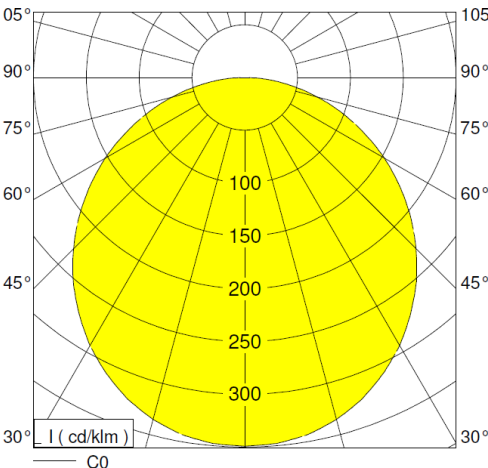
6W



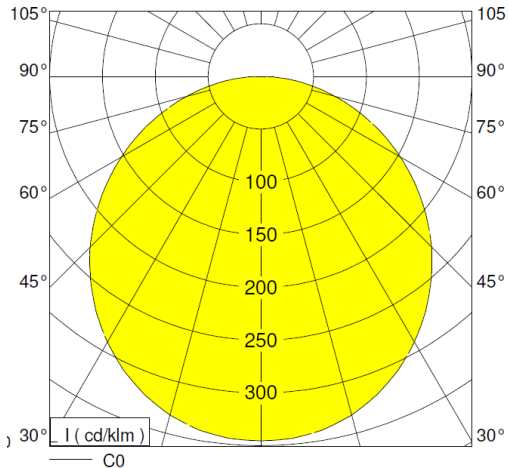
8W

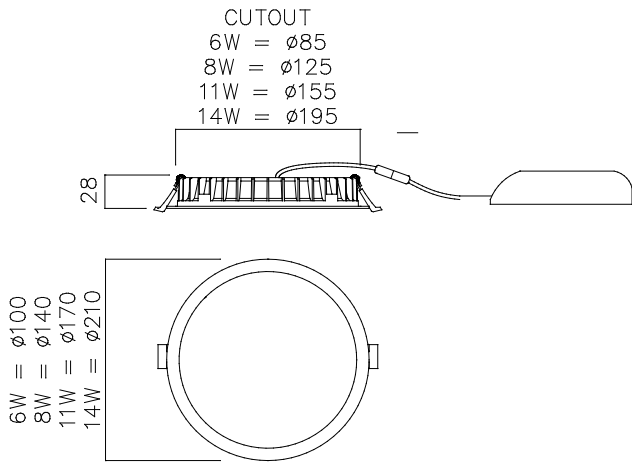


11W



14W





Date completed by manufacturer: 14th July 2017
