

LED BULKHEAD WITH A CHOICE OF BEZELS AND COVERS

Product as supplied

PRODUCT DESCRIPTION

LED bulkhead with a choice of bezel and eyelid cover options, all in black or white. Suitable for indoor or outdoor use on walkways, building perimeters and entrances in residential and commercial properties.

KEY FEATURES

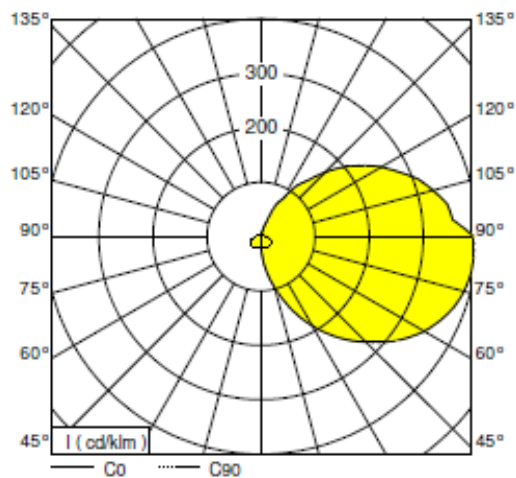
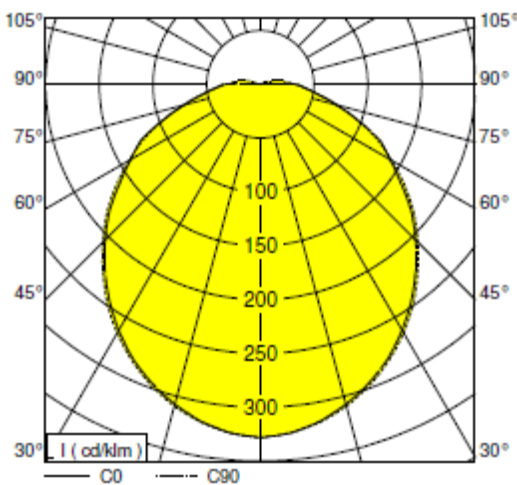
- Polycarbonate base and opal diffuser
 - Gear tray retained on straps for easy installation and maintenance
 - To be used as supplied, or with the addition of optional bezels, to be purchased separately
-

TECHNICAL DETAILS

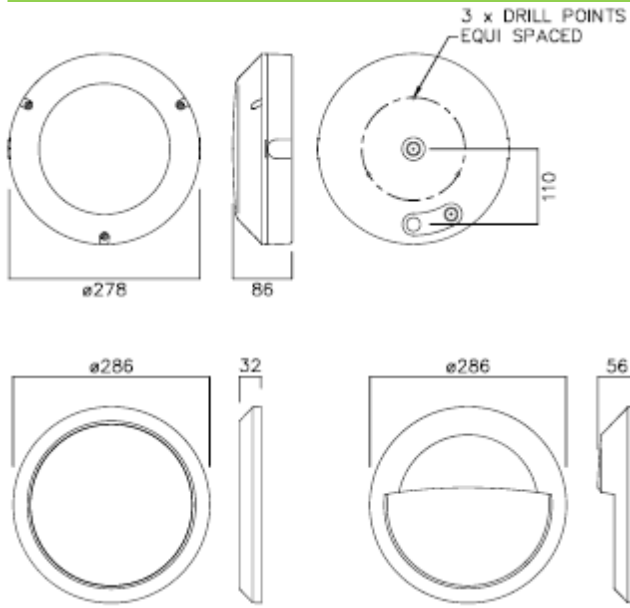
- 15W, 1,310 lumens, 86 l.lm/c.W
- IP65
- IK10
- CRI >80
- CCT 5000K
- Class I
- 5 year warranty

Part number	Description
LBULK/WH/840	1375LM 15W OUT LED BULK WHI OP 840 IP65
LBULK/WH/840/E3	1375LM 15W OUT LED BULK WHI OP 840 IP65 E3
LBULK/WH/840/CF	1375LM 15W OUT LED BULK WHI OP 840 IP65 CFMW
LBULK/WH/840/CFE3	1375LM 15W OUT LED BULK WHI OP 840 IP65 CFMW E3
LBULK/BK/840	1375LM 15W OUT LED BULK BLK OP 840 IP65
LBULK/BK/840/E3	1375LM 15W OUT LED BULK BLK OP 840 IP65 E3
LBULK/BK/840/CF	1375LM 15W OUT LED BULK BLK OP 840 IP65 CFMW
LBULK/BK/840/CFE3	1375LM 15W OUT LED BULK BLK OP 840 IP65 CFMW E3
LBULK/BEZEL/WH	OUT LED BULK BEZEL TRIM WHI
LBULK/BEZEL/BK	OUT LED BULK BEZEL TRIM BLK
LBULK/EYELID/WH	OUT LED BULK EYELID TRIM WHI
LBULK/EYELID/BK	OUT LED BULK EYELID TRIM BLK

PHOTOMETRIC DATA



Without bezel or eyelid



Date completed by manufacturer: 29 September 2016