

LED IP44 TP(a) PANEL**PRODUCT DESCRIPTION**

LED panel with TP(a) rated diffuser in two sizes (600 x 600 and 600 x 1200), in standard mains and emergency versions with dimming versions also available. Due to the driver design it is exceptionally easy to install.

KEY FEATURES

- For recessed installation in 15-24mm exposed T ceilings
- Also suitable for surface (600 x 600 only) or suspended installation with use of the accessories listed below
- Side-lit design with LEDs housed in the frame
- Polycarbonate TP(a) rated opal diffuser
- IP44
- Spring-clamp, loop-in/out terminals for quick installation

TECHNICAL DETAILS

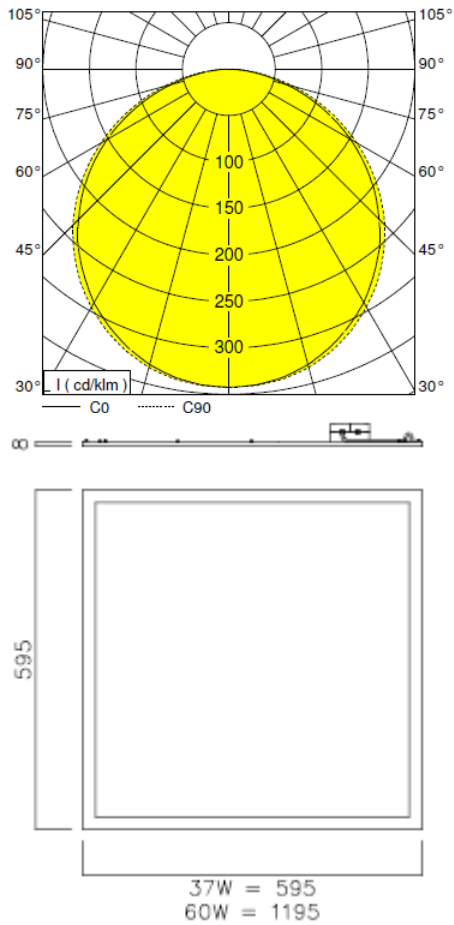
- 39W (actual), 3,470 lumens, 89 luminaire lumens / circuit watt
 - CRI >80
 - CCT 5000K
 - High specification driver with <8% flicker
 - Available in two sizes, 600 x 600 and 600 x 1200
 - Dimming versions available as listed below.
 - Class I (emergency versions), class II (standard versions)
 - 5 year warranty
-

Part number	Description
LEDMOD95K	595X595 3350LM 36W LED PANEL IP44 TPA 850
LEDMOD9E35K	595X595 3350LM 36W LED PANEL IP44 TPA 850 E3
LEDMOD95K/DIM	595X595 3350LM 36W LED PANEL IP44 TPA 850 DD
LEDMOD9E35K/DIM	595X595 3350LM 36W LED PANEL IP44 TPA 850 DD E3
LEDMOD105K	1200X600 5000LM 65W LED PANEL IP44 TPA 850
LEDMOD10E35K	1200X600 5000LM 65W LED PANEL IP44 TPA 850 E3
LEDMOD105K/DIM	1200X600 5000LM 65W LED PANEL IP44 TPA 850 DD
LEDMOD10E35K/DIM	1200X600 5000LM 65W LED PANEL IP44 TPA 850 DD E3

ACCESSORIES

LEDWIREKIT1	WIRE SUSPENSION KIT FOR LED PANEL
LEDSURFACEKIT1	SURFACE MOUNTING KIT FOR 595X595 LED PANEL

PHOTOMETRIC DATA



Date completed by manufacturer: 29 September 2016