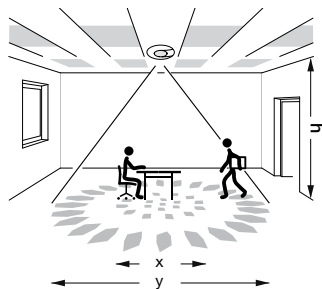


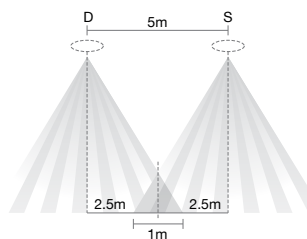
Technical Characteristics

	EEK513W / EEK515W
Detection range	motion area: diameter 7m (product installed at 2½m height) presence area: diameter 5m (product installed at 2½m height)
Supply voltage	230 V AC + 10% -15%
Frequency	50/60 Hz
Local lux threshold setting	5 to 1000 lux
Local time setting	1 min to 1hr
Commissioning via installer remote control	EEK001 for power up, absence / presence mode, timer active / passive cell
Control with IR user remote control	EEK002 for ON / OFF override
Output	16A AC1 relay output (cut live): - 2300W incandescent or 230V halogen: > 26000 cycles - 1500W VLV halogen lamps with ferromagnetic or electronic transformer: > 35000 cycles - 1000W / 130 µF parallel compensated fluo tube: > 50000 cycles - 23 x 23W fluo-compact with electronic ballast: > 20000 cycles
Push button input	phase input for absence / presence detection (semi-automatic / automatic mode) same phase as power supply.
Terminals	for 1.5mm ² rigid / flexible wires
Power dissipation	300mW
Isolation class	II
Protection	IP41 / IK03
Operating temperature	-10°C to +45°C
Storage temperature	-20°C to +60°C
Standards	IEC 60669-1, IEC 60669-2-1

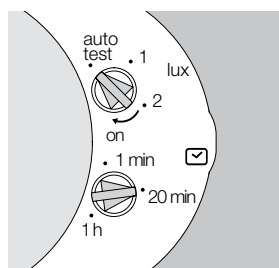
Detection areas



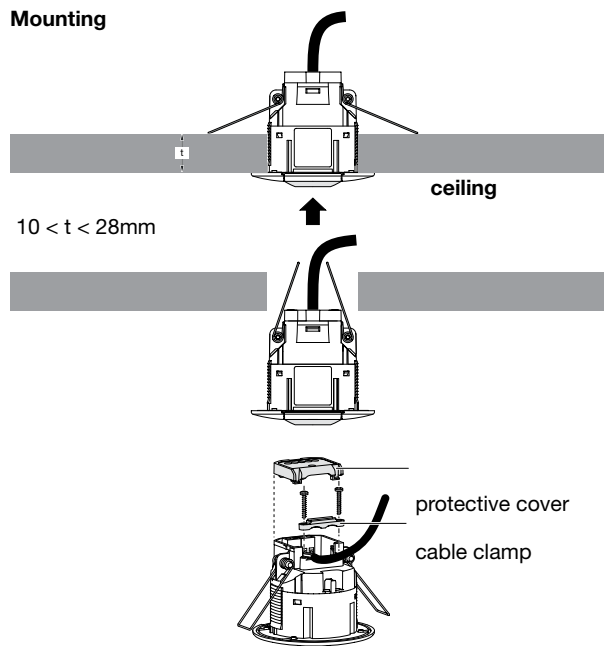
H	2.5m	3m	3.5m
X	5m	5m	5m
Y	7m	8m	9m



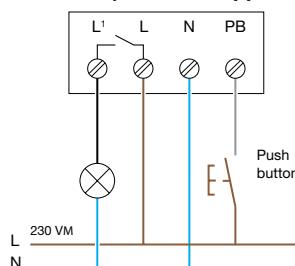
Settings EEK513W/EEK515W



Mounting



Wiring diagram EEK510B (no cable supplied)



EEK513W (Cable supplied connected to OS)

