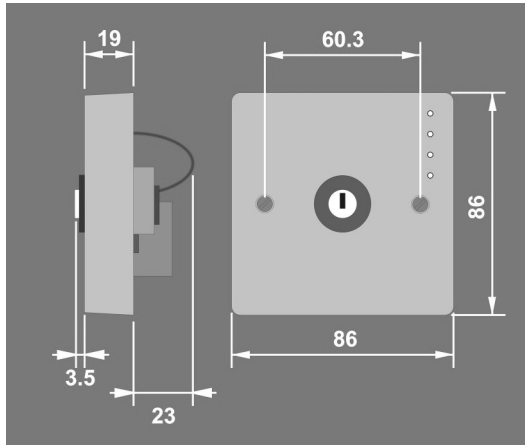




ELT10 Product Guide

Emergency Lighting Test Switch

Overview



The ELT10 emergency lighting test switch is designed to test the function of emergency luminaires. A key switch is used to interrupt the supply to the luminaires for a pre-programmed period of time. At the end of the time period the supply to the luminaires is automatically re-instated. The result is that there is no risk of depleting the batteries in the emergency fitting.

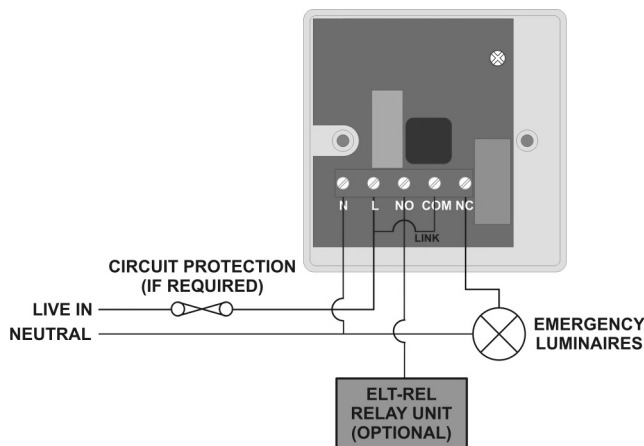
Three pre-programmed test intervals are available:

- 10 minutes
- 1 hour
- 3 hours

The unit will power up with the *SUPPLY ON* lamp illuminated—the supply will be connected to the output.

Turn and release the key switch to select the 10 minute test interval. Turn and release again to select the next test interval—the supply will be disconnected from the output for the duration of the test.

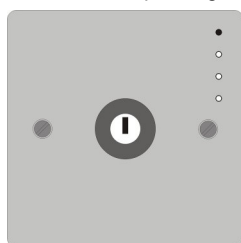
To cancel a test, turn and release the keyswitch until the *SUPPLY ON* lamp illuminates.



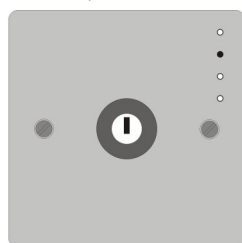
Installation

Warning. This device works at mains potential. Be sure to take care when working with electricity.

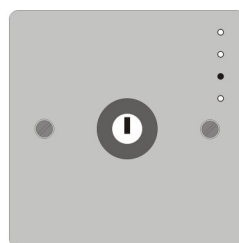
1. Make sure the load is connected and in working order.
2. Isolate the mains supply to the circuit at the main distribution board.
3. Wire the ELT10 as in the diagram above.
4. Connect the controller via the terminal block. Live supply to the *L* terminal, Neutral supply to the *N* terminal. This device has a voltage free changeover contact output. For standard operation connect the load to the *NC* terminal and **loop the live to the *COM* terminal.** When using the ELT-REL relay unit, connect to the *NO* terminal and **loop the live to the *COM* terminal.**
5. Screw unit to the wall and switch the mains supply on.
6. The *SUPPLY ON* lamp will light up (see below).



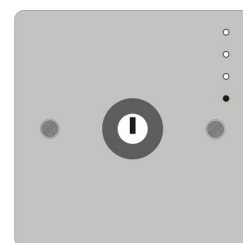
Supply On



Ten Minute Test



One Hour Test



Three Hour Test

Specification

LOAD

10 Amp incandescent lighting
6 Amp fluorescent lighting
3 Amp compact fluorescent lighting
3 Amp low energy lighting
3 Amp low voltage lighting (switch primary of transformer)
Fluorescent lighting (max 6 fittings recommended)
For fluorescent lighting total power factor correction capacitance must not exceed 40 μ F

SUPPLY VOLTAGE 220-240 Volts AC 50 Hz

TIMING PERIOD 10 minutes, 1 hour, 3 hours

FIXING METHOD Surface fixing 25mm deep plastic surface mount moulded box.
Flush fixing 25mm steel wall box or 32mm deep cavity wall box.

TERMINAL CAPACITY 2.5mm²

MATERIAL Flame retardant ABS

TYPE Class 2

TEMPERATURE -10°C to 35°C

CONFORMITY EMC-89/336/EEC
LVD-73/23/EEC



IMPORTANT NOTICE!

This device should be installed by a qualified electrician in accordance with the latest edition of the IEE wiring regulations.



C.P. Electronics Ltd

Brent Crescent

London

NW 10 7XR

United Kingdom

Tel: + 44 (0) 333 900 0671

Fax: + 44 (0) 333 900 0674

www.green-iswitches.co.uk

enquiry@green-iswitches.co.uk