



A slim decorative LED luminaire that blends well with all interiors due to its timeless, clean and simple design.



FEATURES

- Available in two sizes – Ø 245 and 325mm
- Robust polycarbonate body with decorative trim available in white or chrome
- Opal polycarbonate diffuser
- Energy efficient LED gear tray with a life span of 30,000 hours (L70)
- Available Options: Standard or 3hr Emergency (Ø325 only)

SIMPLE TO INSTALL AND USE

- Clip-in diffuser without any screws for quick and easy assembly
- LED gear tray
- BESA box fixing points for easy cable entry
- Wall or ceiling mountable
- Interior Use (IP44)

TYPICAL APPLICATIONS

- Bathrooms
- Utility areas
- Student accommodation
- Budget hotels
- Social and key worker housing



Designed and Manufactured in the UK



ICEBREAKER

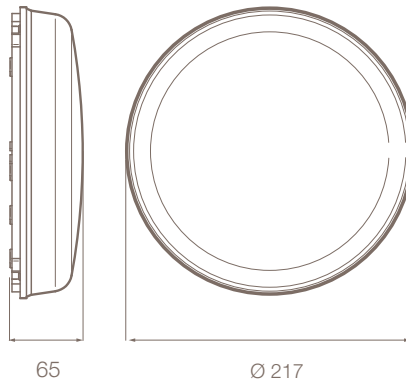
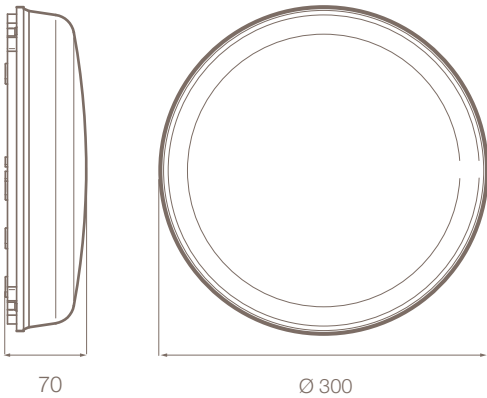


Icebreaker (Large) Ø300mm



Icebreaker (Small) Ø217mm

TECHNICAL INFORMATION



Dimensions, 2 sizes:

Small: Ø 245 x 65mm
Large: Ø 325 x 70mm

Weight:

Small: 0.5kg
Large: 0.85kg

Mounting type:



Wall



Interior



Ceiling

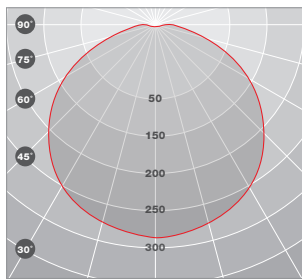
Base Colour Options:

- White trim
RAL9016
- Chrome trim

Diffuser Options:

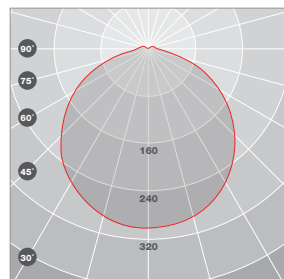
- Opal Diffuser

LIGHT DISTRIBUTION



cd/klm $\eta = 100\%$
— C0 / C180 — C90 - C270

Icebreaker - Small
Opal Diffuser

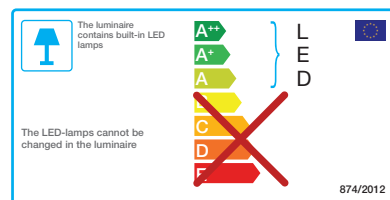


cd/klm $\eta = 100\%$
— C0 / C180 — C90 - C270

Icebreaker - Large
Opal Diffuser

Photometric files at
www.fernhoward.com

STANDARDS



ICEBREAKER

FH Part No.	FH Range	Size	Description	Finish Diffuser Option	Lumen Output (Lm)	System Power (W)	Efficacy (Lm/W)	3hr Emergency	IP Rating	Lumen Output in EM (LM)
LBHD12IP44840	Icebreaker	Large	LED Bulkhead	Opal	1,250	13	96		44	
LBHD12IP44840E3	Icebreaker	Large	LED Bulkhead	Opal	1,250	13	96	EM	44	250
LBHDCHRTRIM12	Icebreaker - Large Trim, Chrome	Large	Trim							
LBHD7IP44840	Icebreaker	Small	LED Bulkhead	Opal	850	10	85		44	
LBHDCHRTRIM7	Icebreaker - Small Trim, Chrome	Small	Trim							

5 YEAR
Warranty

>80
CRI (Ra)

4,000K
Colour
Temperature



Fern-Howard products are manufactured in the UK at our modern factory in Alton, Hampshire. Luminaires are manufactured and tested in accordance with BS EN60598. Incorporated control gear and components comply with BS/VDE standards. Luminaires are tested in accordance with IES LM-79-08.